



Datasheet

Economy LED Oyster - Mains

CAT. NO. 659310MA, 659310DM, 659311MA



Cat. No.	659310MA	659310DM	659311MA
Description	LED Oyster Mains	LED Oyster DALI Mains	LED Oyster Mains with ON/OFF microwave sensor
Nominal Input Voltage	230 - 240 V a.c. 50 Hz		
Power Consumption	15 W		
Light Source	Selectable LED (3000K / 4000K / 5000K)		
Inrush Current	15 A	26 A	13 A
Driver Type	Fixed output / Non-Dimmable	DALI Dimmable	Fixed output / Non-Dimmable
Sensor Type	N/A	N/A	Microwave
CRI	> 80		
Light Source Life (LSL)	50,000 hours @ L70		
Luminaire Output	3000K - 1,250 lm 4000K - 1,400 lm 5000K - 1,450 lm		
Luminaire Efficacy	95 lm/W (4000K)		
Power Factor	> 0.9		
IK Rating	IK06		
IP Rating	IP44		
Body Construction	Polycarbonate		
Diffuser Construction	Opal Polycarbonate		
Weight	1.2 kg		
Compliance	AS/NZ S2293, AS/NZS 60598		
Product Marking	  		

Economy LED Oyster - Mains

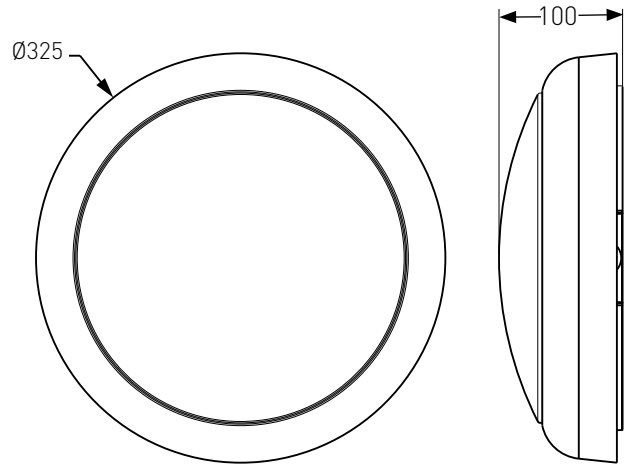
CAT. NO. 659310MA, 659310DM, 659311MA



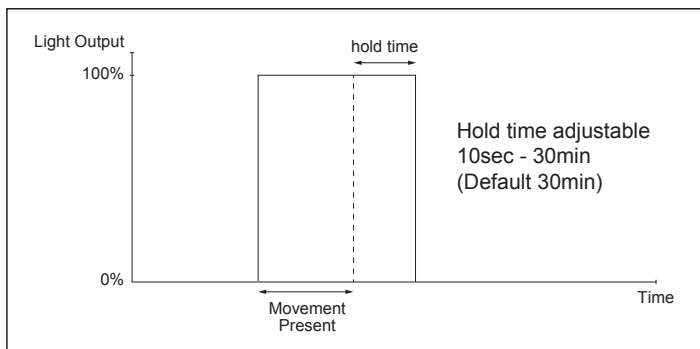
FEATURES

- Twist lock cover for ease of installation.
- Large terminal block.
- Hinged gear tray for ease of maintenance.
- Tri-colour LEDs (3000K/4000K/5000K) selection.
- Available with integrated On/Off Microwave sensor option.
- 5 Year Warranty.

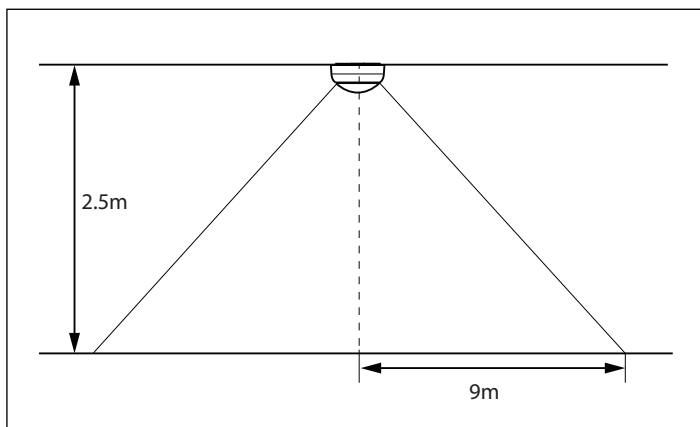
DIMENSIONS



ON/OFF SENSOR FUNCTION



DETECTION RANGE



Note: All dimensions are in mm.

Legrand - Australia
1300 369 777
www.legrand.com.au
ABN 31 000 102 661

Legrand - New Zealand
0800 476 009
www.legrand.co.nz

Refer to your group buying office, Legrand Sales Representative or Legrand Sales office for pricing.

Please note: specifications are subject to change without prior notice.



LE13272AA

09/2021